

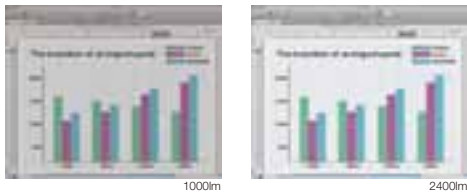
ES200U



Versatility and Simplicity in one projector.

Light & compact

Mitsubishi's ES200U weighs just 2.4kg, for excellent portability, and offers and impressive 2400 lumens of brightness. Whether used in a meeting room, classroom or sports venue, crystal clear images are produced even in ambient light.



Usability

Wall Screen

Offering a wide range of versatile functions, the ES200 comes equipped with Wall Screen functionality. Capable of projecting images onto white-boards, light yellow, blue, light green and pink walls, this projector is ideal for even the most challenging environments.

Direct Power Off

Featuring a direct power off function that immediately cuts all power, this projector can power down quickly and easily without causing damage to the unit. Ideal for presenters on the move, users can simply turn off the power, disconnect the projector and get ready to go.

Top-loading lamp

The projection lamp is installed in the upper section of the main body. Whether sitting on a shelf or suspended from the ceiling, lamp replacement is simple and easy^{*1}, and there's never a need to move the whole projector.



^{*1}; A lamp replacement attachment is included to prevent the lamp from being dropped during replacement.

Ecological & Cost-efficient

Long 4,000hr Lamp Life

By increasing the estimated lamp life, we've added the advantages of lower maintenance and reduce operating costs.

Stand-by Mode under 1W

Stand-by mode power consumption is less than 1W, offering increased energy savings and further contributing to environmental preservation.

BrilliantColour™

Mitsubishi Electric's original built-in colour wheel is incorporated for enhanced colour reproduction. Clear vivid images are reproduced from computer and video-player signals.

- 2400 ANSI lumens
- 2000:1 contrast ratio
- Up to 4000 hour lamp life
- Dual RGB Input terminal

Brighter display solutions

NEW

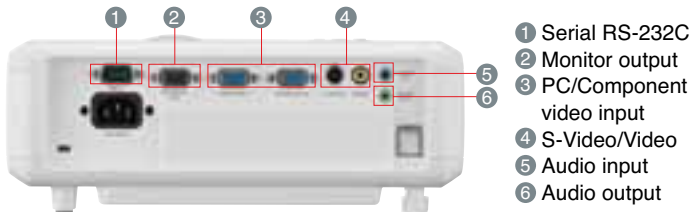


ES200U

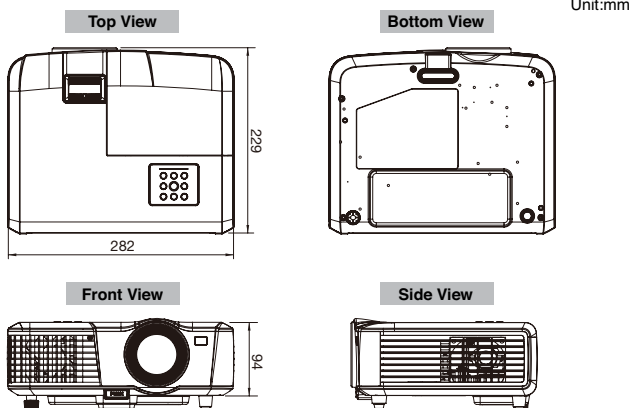
Mobile SVGA Projector

- Brilliant Color™
- Wall Screen
- Password Lock
- Direct Power Off
- Long-life Lamp
- Low Standby Power
- Picture Performance
- User Friendly
- Top Loading Lamp
- Low Fan Noise

Input and Output Terminals



Dimensions

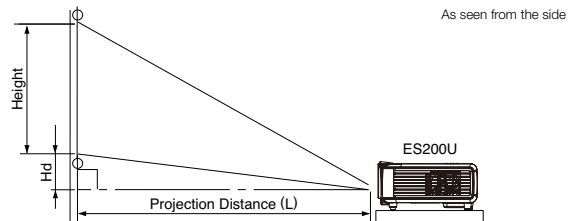


Specifications

Model	ES200U
Display Technology	0.55" 1-Chip DMD
Resolution	800 x 600 (Total 480,000 pixels)
Brightness	2400lm
Contrast Ratio	2000 : 1
Picture Size*1	40" - 300"
Throw Ratio*1	1.9 - 2.1
Source Lamp	160W (4000hr ²) with Low Mode, 185W (3000hr ²) with Standard Mode
PC Compatibility	640 x 480 - 1600 x 1200, True : 800 x 600, Sync on Green available
Video Compatibility	NTSC / NTSC 4.43 / PAL (including PAL-M, N) / SECAM / PAL-60 Component Video : 480i/p (525i/p), 576i/p (625i/p), 720p (750p), 1080i/p (1125i/p 60Hz), 1080i/p (1125i/p 50Hz)
Input Terminals	RGB ; mini D-sub 15pin x 2 Video ; RCA x 1 + S-VIDEO x 1 Audio ; Stereo mini jack (ø3.5mm) x 1
Output Terminals	RGB ; mini D-sub 15pin x 1 Audio ; Stereo mini jack (ø3.5mm) x 1
Communication Terminal	RS-232C; D-Sub 9pin x 1
Speaker Output	2W Mono
Dimensions (W x H x D)	282 x 94 x 229 mm / 11.1 x 3.7 x 9.0 inch (Not including protrusion)
Weight	2.4kg / 5.3lbs
Power Requirements	AC 100-240V, 50/60Hz
Optional Lamp	VLT-EX240LP

• Compliance with ISO21118-2005
 • All brand names and product names are trademarks, registered trademarks or trade names of their respective holders.
 *1: Value may vary a few percent from that listed in the chart.
 *2: It's an estimated life time and the lamp is to be shut off upon the arrival. And it's not the time specified in the warranty.
 *3: The above numbers are approximate, and may be slightly different from the actual measurements.

Screen size and Projection distance



Screen size chart (4:3 aspect ratio)

Diagonal Size		Screen				Distance from screen (L)				Height projected image (Hd)	
		Width (W)		Height (H)		Shortest (Wide)		Longest (Tele)			
inch	cm	inch	cm	inch	cm	inch	m	inch	m	inch	cm
40	102	32	81	24	61	60	1.5	66	1.7	2	6
60	152	48	122	36	91	90	2.3	99	2.5	4	9
80	203	64	163	48	122	120	3.0	132	3.4	5	12
100	254	80	203	60	152	150	3.8	165	4.2	6	15
150	381	120	305	90	229	225	5.7	247	6.3	9	23
200	508	160	406	120	305	300	7.6	330	8.4	12	30
250	635	200	508	150	381	375	9.5	412	10.5	15	38
300	762	240	610	180	457	450	11.4	-	-	18	46

The above numbers are approximate, and may be slightly different from the actual measurements.

Screen size chart (16:9 aspect ratio)

Diagonal Size		Screen				Distance from screen (L)				Height projected image (Hd)	
		Width (W)		Height (H)		Shortest (Wide)		Longest (Tele)			
inch	cm	inch	cm	inch	cm	inch	m	inch	m	inch	cm
40	102	35	89	20	50	66	1.7	73	1.9	6	15
60	152	52	133	29	75	99	2.5	109	2.8	9	22
80	203	70	177	39	100	132	3.4	146	3.7	12	30
100	254	87	221	49	125	166	4.2	182	4.6	15	37
150	381	131	332	74	187	248	6.3	273	6.9	22	56
200	508	174	443	98	249	331	8.4	364	9.3	29	75
250	635	218	553	123	311	414	10.5	455	11.6	37	93
275	699	240	609	135	342	455	11.6	-	-	40	103

The above numbers are approximate, and may be slightly different from the actual measurements.

MITSUBISHI ELECTRIC EUROPE

New publication, effective May 2010 Specifications subject to change without notice.